

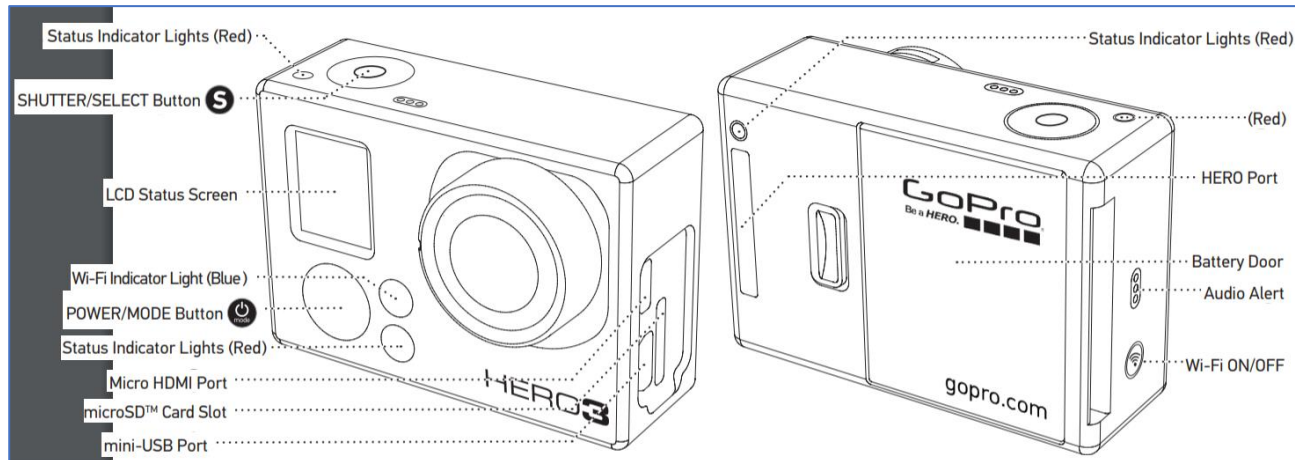
GoPro 3 Hero



kasutusjuhend

Videote ja fotode digitaalne salvestamine

Kaamera:



Lisavarustus:

<p>Raam:</p>	<p>Mürasummuti + kott</p>	<p>Akulaadija + 2 Akut</p>	<p>Kinniti kiivri:</p>
---------------------	----------------------------------	-----------------------------------	-------------------------------

Salvestamine:

<p>Sisesta microSD kaart</p>	<p>Ühenda laetud aku kaameraga</p>	<p>Sisse ja Välja</p> <p>1x Mode</p>	<p>Algandmed displeil</p>	<p>Video salvestamine</p> <p>algus/lõpp: 1x Shutter</p> <p>Heli kinnitus: 1 korda / 3 korda</p> <p>Indikaator: punane</p>	<p>Pildi salvestamine</p> <p>Vali režiim: Kasuta Mode nuppu ja jälgides displeid.</p> <p>Vajuta Shutter ja siis vabasta</p>
------------------------------	------------------------------------	--------------------------------------	---------------------------	---	--

Displei:

<table border="1"> <tr> <td>Camera Modes</td> <td></td> <td>Capture Setting Modes</td> </tr> <tr> <td>Resolution/FPS</td> <td>960-30</td> <td>Time Interval Settings</td> </tr> <tr> <td>Counter</td> <td>01</td> <td></td> </tr> <tr> <td>Time/Storage/Files</td> <td>00:00 </td> <td>Battery Life</td> </tr> </table>	Camera Modes		Capture Setting Modes	Resolution/FPS	960-30	Time Interval Settings	Counter	01		Time/Storage/Files	00:00	Battery Life	<p>Algsed tehnilised näitajad:</p> <p>Pildid: 11 Mpix / 10ph 1sec Video: 1080p30fps Faili formaat: *.Mp4 Salvestus: microSD kaart</p>
Camera Modes		Capture Setting Modes											
Resolution/FPS	960-30	Time Interval Settings											
Counter	01												
Time/Storage/Files	00:00	Battery Life											